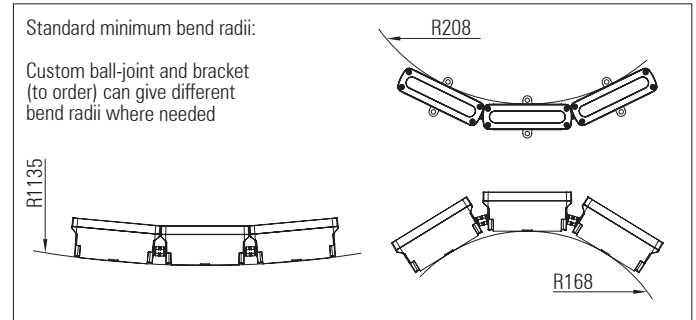
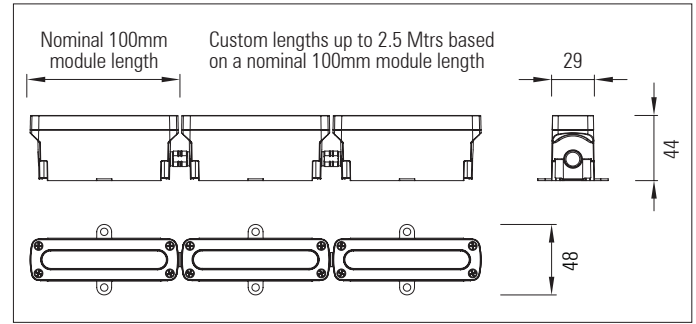


3D LED Flex system 25 IP66

2 or 4 x high power LEDs with lenses per module

Modular, 3D flexible LED linear lighting system



2 or 4 x high power LEDs with lenses per module

Modular, 3D flexible LED linear lighting system

Product description:

For use in exterior indirect cove lighting or direct wall washing applications where the building surfaces are non linear with curved profiles

2 or 4 x Cree XP-E, XP-G or XQ-E LEDs with Ledil Lisa or Larisa lenses per module

Up to 3.5 Watts per 100mm module

30 Volt - 48 Volt DC supply depending on application

Flexible in 3 dimensions - Articulated ball-joint system between modules

LED pitch is maintained between the modules

Side, back and end power feed and connector options allow for continuous lighting with no dark areas between fixtures. 17.5 Amp IP68 connectors join fixtures together on-site

Integral LV constant current driver

Dimming options available: 1-10V, DMX and DALI. Separate dimming channel

Various LED colour temperature and CRI options available

Satin black, satin white or any RAL paint colour finish

Custom lengths based on a 100 mm module up to 2.5 mtrs

Various mounting options and bracket types are available

Low iron UV block glass covers or UV stable polycarbonate windows

* RGB, RGBW, RGBA and Dynamic-white options do not use a colour mixing lens. For a colour mixing lens version see the data sheet for the 3D LED Flex 40 IP66 with 1 x RGBW LED array with colour-blending lens per module

Up to 3,700 Lumens per Mtr

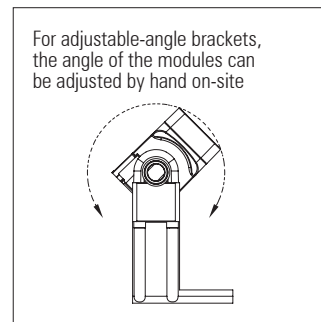
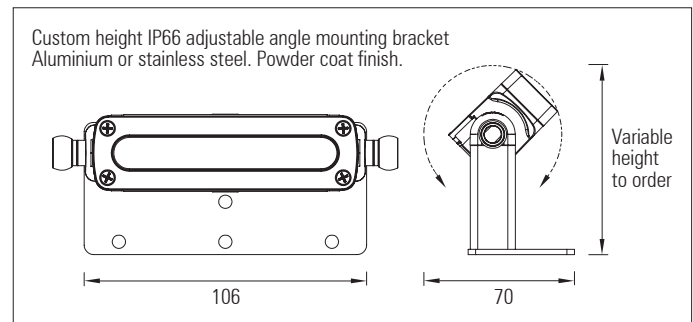
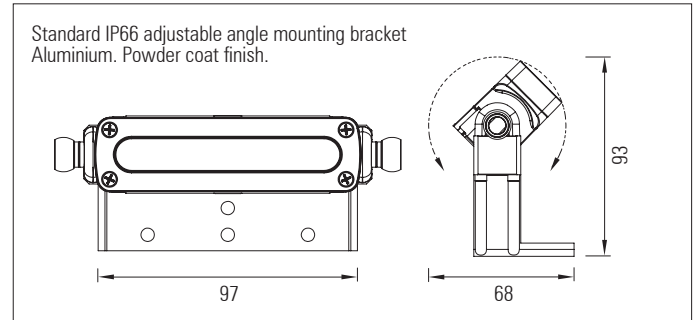
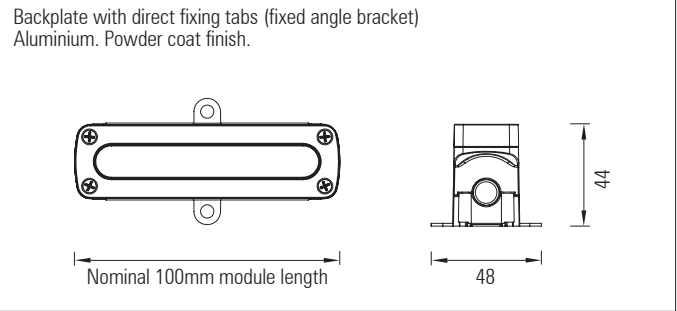
LED / lens matrix	CREE XP-E		CREE XP-G	
	Lisa2	Larisa	Lisa2	Larisa
Diffused spot (D)	N/A	N/A	N/A	N/A
Real spot (RS)	16 °	15 °	26 °	N/A
Medium (M)	24 °	23 °	34 °	36 °
Wide (W)	37 °	39 °	48 °	N/A
Wide (WW)	42 °	N/A	54 °	N/A
Wide (WWW)	84 °	N/A	86 °	N/A
Elliptical (O)	18+48 °	39+17 °	46+24°	39+25 °

Product Code	No. of LEDs per mtr.	IP	Length (mm)	LED Type	Colour Temp. (K)	CRI	Cover	Bracket Type	Feed	Finish
RAD 3D LED FLEX 25 IP66 HP - 4 L	40 LEDs per Mtr: 25mm pitch	66	100mm	Cree: XP-E, XP-G, XQ-E	22=2,200k 27=2,700k 30=3,000k 35=3,500k 40=4,000k 45=4,500k 50=5,000k	70 80 90 97	Clear	Adjustable Fixed Custom	End Back Side	Black White Any RAL-colour
RAD 3D LED FLEX 25 IP66 HP - 2 L	20 LEDs per Mtr: 50mm pitch		2,500mm		* RGB * RGBW * RGBA * Dynamic white					

3D LED Flex system 25 IP66

2 or 4 x high power LEDs with lenses per module

Fixed-angle and adjustable-angle mounting bracketry



Fixed-angle and adjustable-angle mounting bracketry for 3D LED Flex 25 IP66. 2 or 4 x high power LEDs with lenses per module

The 3D LED Flex 25 system is flexible in 3 dimensions, which allows it to follow curved building contours

There are a number of bracket options available

Adjustable angle brackets allow the modules to be rotated around the major axis, so that the light output can be aimed precisely

The angle of the modules can be adjusted on-site by hand. The friction ball-joint system keeps the modules correctly positioned. There is also a lockable option, which allows each module to be locked in place using an Allen key once it is correctly positioned

A standard height adjustable angle bracket and a custom height adjustable angle bracket are available

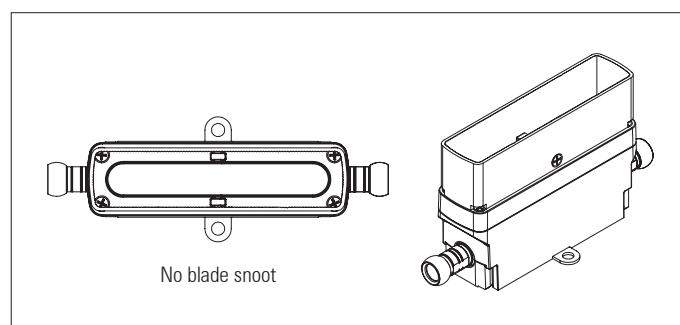
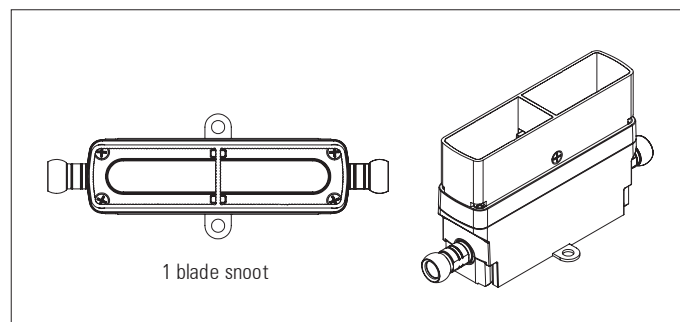
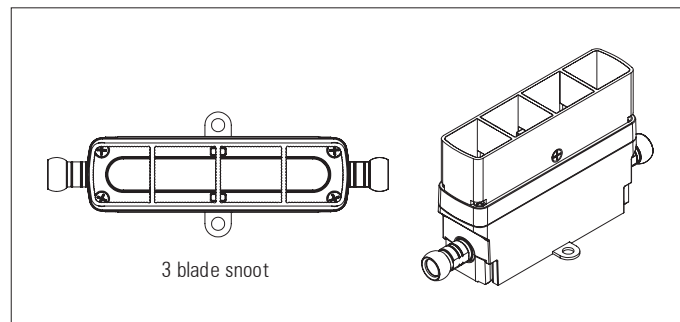
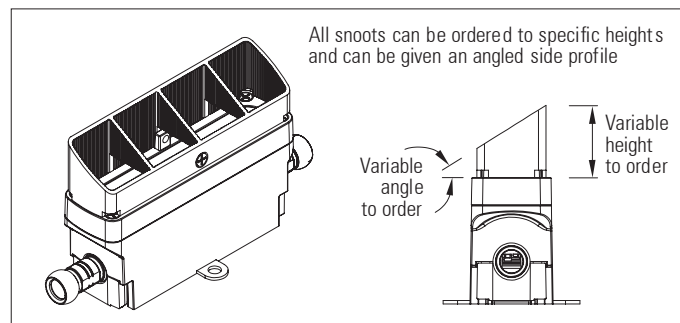
Fixed angle bracket options are also available.

Custom options are also available

The brackets are aluminium with a powder coat finish which is available in satin black, satin white or any RAL colour

The custom height adjustable angle bracket is also available in stainless steel for more demanding exterior applications. Again, this is available with a powder coat finish in satin black, satin white or any RAL colour

Product code	IP	Finish	Height of legs (mm)
RAD 3D LED FLEX 25 IP66 FIXED ANGLE BRACKET WITH DIRECT FIXING TABS AL	66	Aluminium: Black White Any RAL - colour	Custom height version only: 20mm
RAD 3D LED FLEX 25 IP66 ADJUSTABLE ANGLE BRACKET STANDARD AL		Stainless steel: Black White Any RAL - colour	-increments of 5mm up to- 300mm
RAD 3D LED FLEX 25 IP66 ADJUSTABLE ANGLE BRACKET CUSTOM HEIGHT			



3D LED FLEX 25 anti-glare accessories

For use with the 3D LED Flex 25 system IP66 to control light glare from the LEDs when the fixtures are not fully recessed

3 blade, 1 blade and no blade snoots are available

Satin black, satin white or any RAL paint colour finish

Custom height to order. Straight or any custom cut angle side-profile to order

Product Code	No. of blades	IP	Height (mm)	Cut angle of side-profile (°)	Finish
RAD 3D LED FLEX 25 SNOOT	0 1 3	66	20mm -increments of 5 mm up to- 100mm	0° -increments of 5° up to- 75°	Black White Any RAL colour

3D LED Flex 25 System

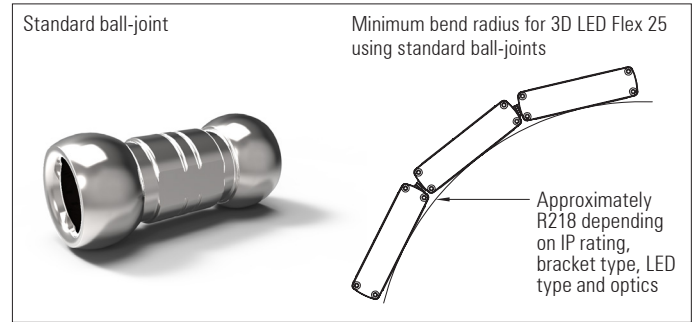
Ball-joint types

Product description:

Radiant's 3D LED Flex 25 system comprises a patented articulated ball-joint system which links the heatsink modules.

The ball-joints system allows the strips to bend and twist in 3 dimensions, so that they can follow any building contours, whilst maintaining a constant LED pitch.

There are various types of ball-joint to suit different applications, some of which can be seen on this data sheet. Please contact Radiant to discuss custom solutions.



Product Code	Material	Length (mm)
STANDARD BALL-JOINT	Nickel-plated brass	(For longer ball-joint only)
BALL-JOINT STRAIGHT BRACKET		
BALL-JOINT BRACKET TIGHT BENDS		
BALL-JOINT CURVED BRACKET		
BALL-JOINT TIGHT BENDS		
BALL-JOINT LONG	Stainless steel	100mm
BALL-JOINT IN LINE FIXING		200mm
		300mm
		Custom lengths

